

# Step Screens VTR



SAVI



**SAVECO**<sup>TM</sup>  
Member of WAMGROUP®

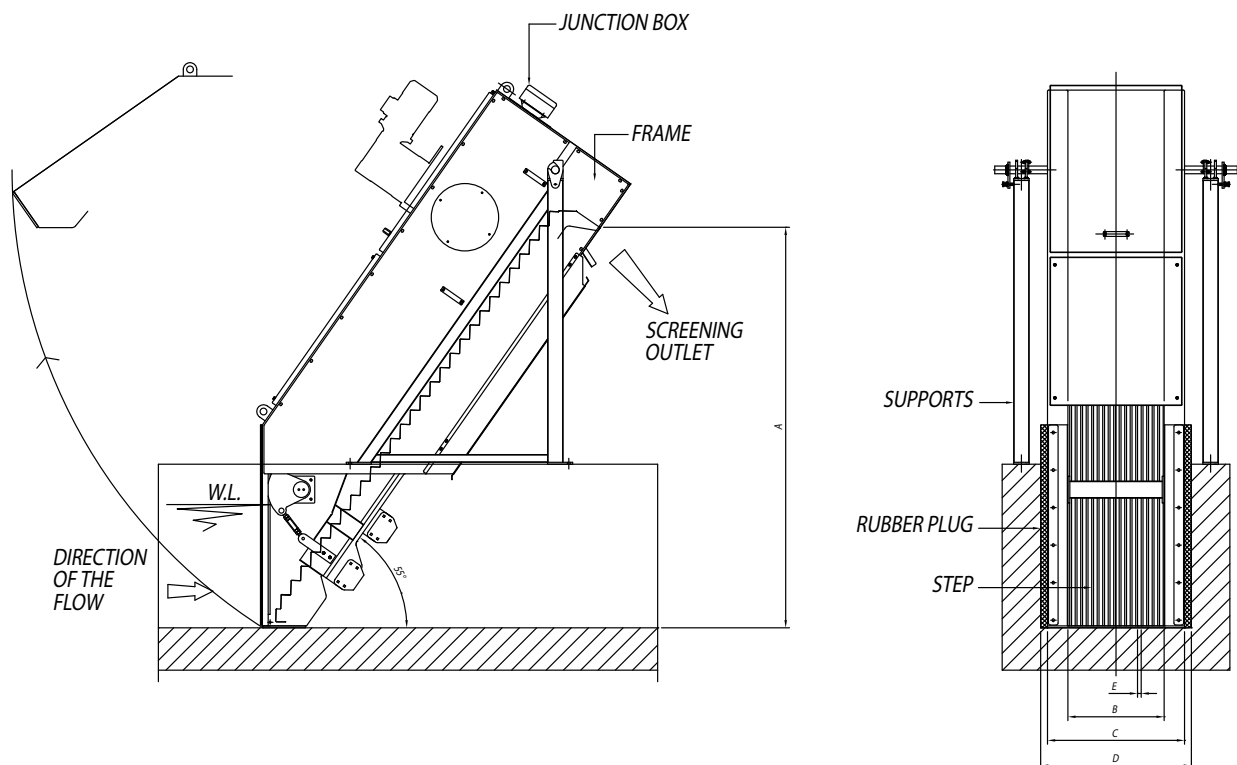
## SELF CLEANING SCREEN

VTR Step Screens, designed for in-channel installation, are used for fine screening of waste water. They consist of two sets of lamellae - a mobile and a fixed one - which are separated by 3 or 6 mm spacing. The special arrangement of the lamellae forms filtering steps.

Waste water is screened while the lamellae steps withhold the screenings. Throughout the operation the mobile lamellae lift the screenings step by step until they are dropped off on the fixed lamellae. The inorganic particles in the waste water flow are withheld by the screen forming a “screenings mat”. In this way, the water level upstream rises making the filter surface wider while the “screenings mat” on the screen keeps finer and finer particles.

As soon as the upstream water level reaches a set height, the screen starts its cycle rising up a step. During the cycle, the mobile lamellae lift screenings onto the next step until they reach the outlet for discharge.

### Overall Dimensions



NOMINAL DISCHARGE HEIGHT (*)	REAL DISCHARGE HEIGHT A mm	SCREEN NET WIDTH B mm	SCREEN EXTERNAL WIDTH C mm	CHANNEL WIDTH D mm	OPENING SIZE E mm	INSTALLED POWER kW
1400	1,417	321 ÷ 1,557	537 ÷ 1,773	560 ÷ 1,800	3 - 6	1.1 - 1.5 - 2.2
1750	1,712	321 ÷ 1,557	537 ÷ 1,773	560 ÷ 1,800	3 - 6	1.1 - 1.5 - 2.2
2000	2,081	321 ÷ 1,557	537 ÷ 1,773	560 ÷ 1,800	3 - 6	1.1 - 1.5 - 2.2
2500	2,523	321 ÷ 1,557	537 ÷ 1,773	560 ÷ 1,800	3 - 6	1.1 - 1.5 - 2.2
3000	3,113	321 ÷ 1,557	537 ÷ 1,773	560 ÷ 1,800	3 - 6	1.1 - 1.5 - 2.2
3500	3,482	321 ÷ 1,557	537 ÷ 1,773	560 ÷ 1,800	3 - 6	1.1 - 1.5 - 2.2

(\*) Standard dimensions; different values available on request

## Benefits

- ✓ **High efficiency equipment**
- ✓ **Low operating costs**
- ✓ **Savings in operating costs, maintenance and operator attendance**
- ✓ **Available also in stainless steel tank, with nozzles**
- ✓ **Self-cleaning screen thanks to mobile lamellae**

## Technical Features

- Range up to 1,800 mm wide sizes available
- Discharge height from 1,400 up to 3,500 mm
- 3 and 6 mm spacing available
- 55 degree incline angle
- Available also in stainless steel tank, with nozzles
- Material: 304 L / 316 L SS



Discharge spout



Filtering area



## Accessories

- Control panel (optional)

# Application



203001304 December 2018 Rights reserved to modify technical specifications.

This brochure has been edited for distribution in European Union countries.



**SAVECO**<sup>TM</sup>  
Member of WAMGROUP<sup>®</sup>



[www.saveco-water.com](http://www.saveco-water.com)