

# Fine Belt Screens VFR



SAVI

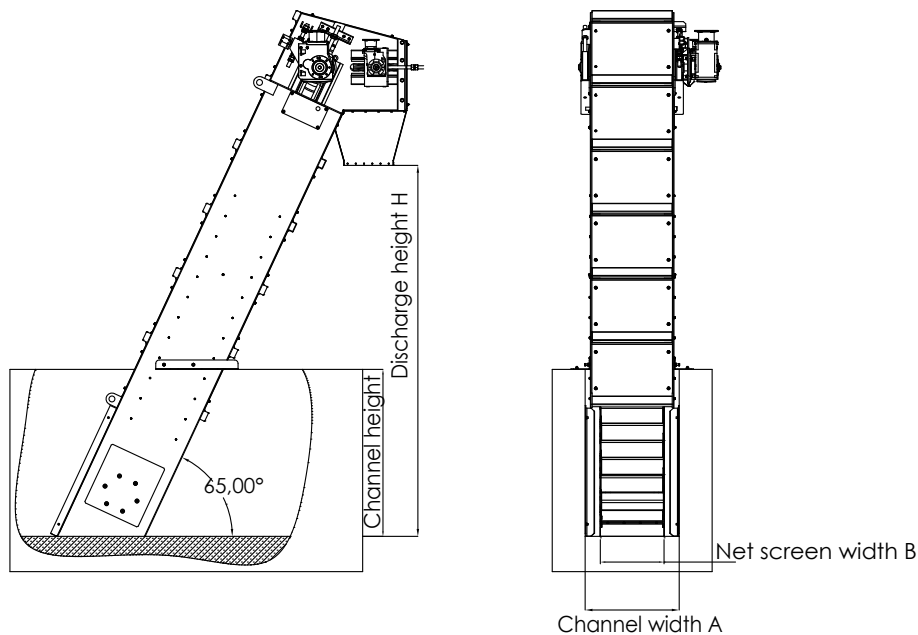
## THE BEST CHOICE FOR IN-CHANNEL FINE SCREENING

VFR Fine Belt Screens are used for fine screening of waste water. They are designed for in-channel installation. They consist of a set of filtering steps manufactured from perforated plate media which are moved by two chains equipped with chain stretcher, as well as anti-friction and anti-noise sliding blocks.

Solids screened from waste water are conveyed by the filtering belt to the outlet on top of the screen. The arrangement of the filter elements forms a “step belt” which ensures that screenings are picked up and easily removed. The screen is equipped with a chute in front of the filtering belt to avoid clogging.

A double cleaning system composed of a motorised roller brush equipped with synthetic bristles and of a washing bar cleans the filter elements. The chains are moved by sprockets fitted on a drive shaft that is connected to the gear reducer. The latter has to be equipped with a torque limit switch.

### Overall Dimensions



MODEL	CHANNEL WIDTH A mm	NET SCREEN WIDTH B mm	DISCHARGE HEIGHT FROM CHANNEL BOTTOM H mm	OPENING SIZES mm	CHAIN POWER kW	BRUSH POWER kW
VFR 750	750	500	customer's requirement	3 - 5 - 7	0.75	0.55
VFR 1000	1,000	750	customer's requirement	3 - 5 - 7	1.1	0.55
VFR 1250	1,250	1,000	customer's requirement	3 - 5 - 7	1.1	0.55
VFR 1500	1,500	1,250	customer's requirement	3 - 5 - 7	1.5	0.55
VFR 1750	1,750	1,500	customer's requirement	3 - 5 - 7	1.5	0.55
VFR 2250	2,250	2,000	customer's requirement	3 - 5 - 7	1.5	0.55

## Benefits

- ✓ **Reduced service requirements (no need to take the screen out of the channel)**
- ✓ **Special design of filtering elements for easy maintenance and replacement;**
- ✓ **High capture efficiency of solids.**

## Technical Features

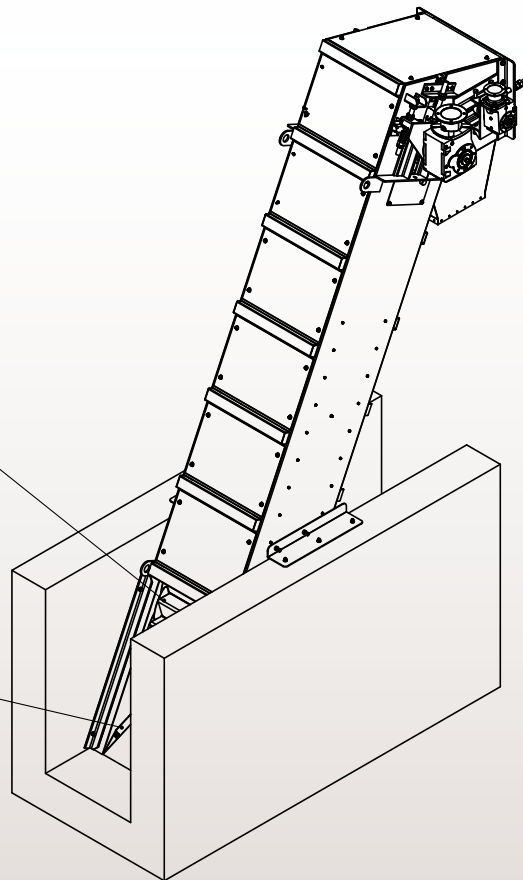
- 6 up to 2,000 mm wide sizes available
- 65 degree incline angle
- Perforated media openings from 3 to 7 mm
- Chain drive recessed into the side rails
- Double cleaning system
- Material: hot dip galvanised steel, 304 L / 316 L SS



Filtering Panel



Sealing System



## Accessories

- Control panel (optional)

# Application



203001303 August 2018 Rights reserved to modify technical specifications.



This brochure has been edited for distribution in European Union countries



**SAVECO**<sup>TM</sup>  
Member of WAMGROUP<sup>®</sup>



[www.saveco-water.com](http://www.saveco-water.com)