

Waste Water Treatment

Externally Fed Drum Screens SGR



18



Description ▼

SGR Externally Fed Drum Screens consist of a stainless steel screen drum contained in a stainless steel tank. The drum consists of a wedge wire screen. Due to the trapezoidal screen slots, solids contained in the waste water are retained. Waste water is conveyed through a distributor onto the external surface of the drum screen. The side sealing consists of nylon sliding blocks. Solids are retained on the external surface of the drum screen and subsequently discharged. The drum is cleaned by means of a brass plate.

After passing through the inside of the drum screen, clean water is collected on the bottom of the tank and discharged through a nozzle. Rotation of the filter occurs by coupling connection to a gear reducer mounted at the end of the drum. At the opposite end a cleaning system is installed. The system is composed of a pipe equipped with a high pressure nozzle which periodically cleans the filtering drum (mobile washing system). The system has to be connected to the water mains.

Application ▼

Civil purification plants process of water separation treatment of industrial waste water, such as in paper mills, food industry, chemical industry.



Benefits ▼

- ✓ Compact design, easy to install in narrow spaces / aerial channels;
- ✓ High flow rates;
- ✓ Self-cleaning;
- ✓ User-friendly;
- ✓ Low energy consumption and limited maintenance.



www.savi-water.com
www.wamgroup.com

Waste Water Treatment

Externally Fed Drum Screens SGR



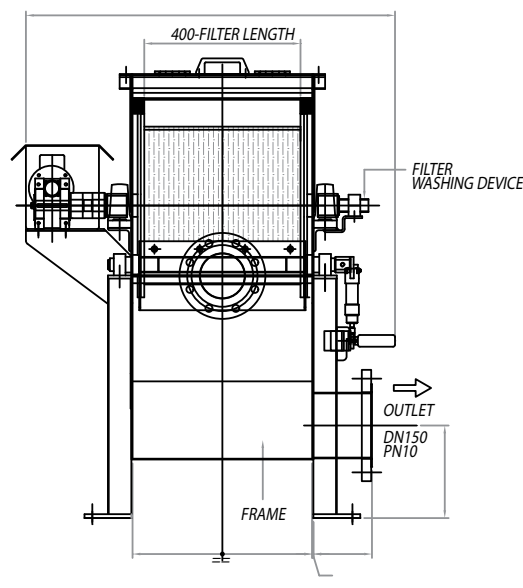
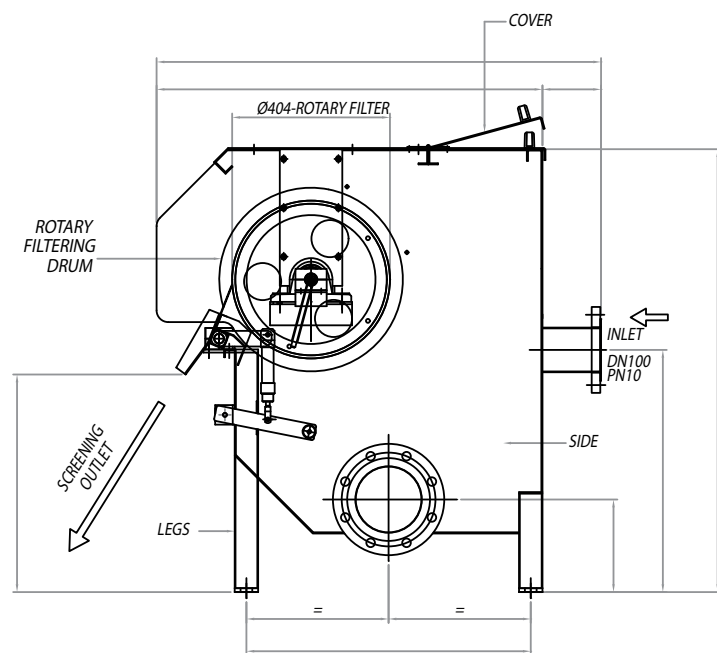
Technical Features / Performance

- ▶ Slot width: 0.25 ~ 2.50 mm
- ▶ Wedge wire filter with so-called "slot zero" to ensure drum resistance
- ▶ Screen in 304 L / 316 L SS
- ▶ Overflow (optional)
- ▶ Fixed drum washing system with high pressure water pre-arrangement (optional)
- ▶ Teflon® cleaning blade as an alternative to brass blade
- ▶ Control panel (option)

PEAK FLOW RATE WITHOUT OVERFLOW [m³/h]								
OPENING SIZE [mm]	0.25	0.50	0.75	1.00	1.25	1.50	2.00	2.50
SGR 4040	10	15	15	20	25	30	35	40
SGR 6060	60	110	140	180	200	220	240	260
SGR 6090	90	150	210	260	300	340	360	370
SGR 6150	120	210	280	350	390	440	465	480
SGR 6180	180	300	420	500	580	650	700	720
SGR 9300	400	700	1,000	1,200	1,400	1,600	1,900	2,100

PEAK FLOW RATE WITH OVERFLOW [m³/h]								
OPENING SIZE [mm]	0.25	0.50	0.75	1.00	1.25	1.50	2.00	2.50
SGR 4040	7	10	10	14	18	21	25	28
SGR 6060	42	77	98	126	140	154	168	182
SGR 6090	63	105	147	182	210	238	252	259
SGR 6150	90	158	210	262	292	330	349	360
SGR 6180	135	225	315	375	435	487	525	540
SGR 9300	320	560	800	960	1,120	1,280	1,520	1,680

Overall Dimensions



MODEL	FILTERING DRUM DIAMETER [mm]	TOTAL WIDTH [mm]	TOTAL LENGTH [mm]	TOTAL HEIGHT [mm]	INLET [DN] - PN 10	OUTLET [DN] - PN 10	MOTOR POWER [kW]
SGR 4040	400	945	1,140	1,135	100	150	0.25
SGR 6060	600	1,210	1,430	1,500	200	250	0.37
SGR 6090	600	1,510	1,430	1,500	200	250	0.37
SGR 6150	600	2,140	1,430	1,500	250	300	0.75
SGR 6180	600	2,440	1,430	1,500	300	400	0.75
SGR 9300	900	3,830	2,080	1,570	no. 2 x 350	op 500 x 2,000	1.10

DS.SGR-EN-December 2017-000 Rights reserved to modify technical specifications.



www.savi-water.com
www.wamgroup.com