

Waste Water Treatment

Peripheral Traction Clarifiers with Sludge Suction PTA



38



Description ▼

Peripheral Traction Clarifiers PTA are used to suck biological sludge and remove floating particles in circular primary and secondary settlement tanks in both municipal and industrial purification plants.

This equipment is composed of a movable truck lying in the centre on a rotating central support and at its periphery on a traction trolley. The clarifier is operated by a gear motor connected to a slip ring placed in the central support.

Waste water enters the concrete tank by means of a central cylinder, which spreads the liquid. Sludge settles on the tank bottom, while light particles and scum float. Thanks to the slow truck movement, special syphon pipes equipped with scraper blades suck the settled sludge. The syphon pipes are adjusted by means of telescopic valves installed on the walkway. Floating particles are collected by the surface scraper and conveyed into the scum-box.

Clean water flows into the peripheral launder through the Thomson profile weirs.

Application ▼



Benefits ▼

- ✓ Quick installation;
- ✓ High removal efficiency of sludge and floating material;
- ✓ Easy installation also for existing tanks.



www.savi-water.com
www.wamgroup.com

Waste Water Treatment

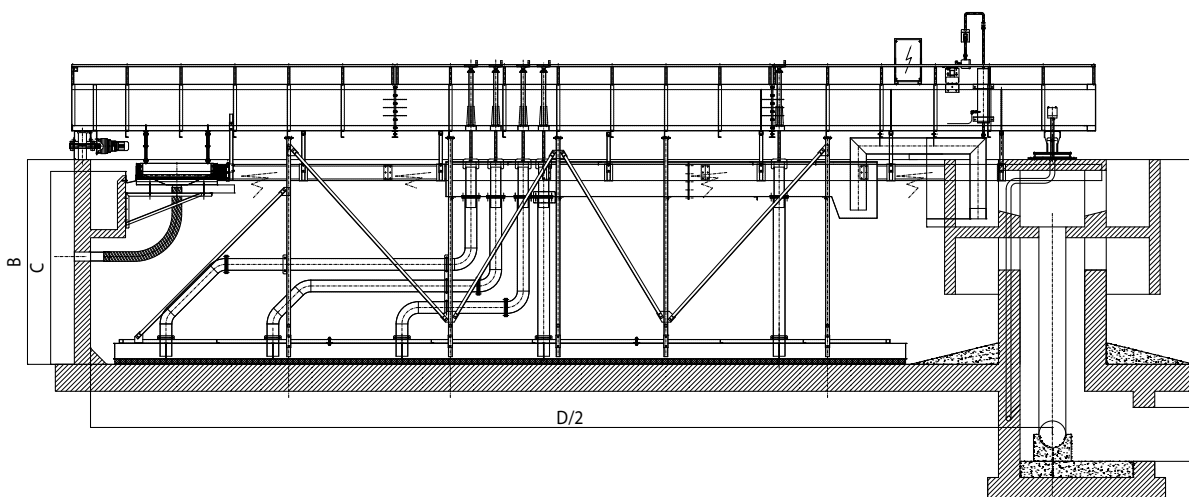
Peripheral Traction Clarifiers with Sludge Suction PTA



Technical Features / Performance ▼

- ▶ Available for tanks up to 60m diameter
- ▶ Scum removal device
- ▶ Carbon steel hot dip galvanized/ 304 L / 316 L SS
- ▶ As an alternative, PTA with walkway length radius+1/3 with bottom scraper and back bottom scraper
- ▶ As an alternative, double traction clarifier with diametric walkway and double scrapers
- ▶ Control panel (option)
- ▶ Scum removal by means of "rotoling pipe" system (option)
- ▶ Clean water launder in stainless steel (option)
- ▶ Electric torque limit switch (option)
- ▶ Motorized rotating brush for weirs/laundry cleaning (option)

Overall Dimensions ▼



PTA - PERIPHERAL TRACTION CLARIFIER WITH SLUDGE SUCTION

| MODEL | INTERNAL TANK DIAMETER D - m | TANK DEPTH B - m | WATER LEVEL C - m | PERIPHERAL SPEED - m/1' | MOTOR POWER - kW |
|--------|---------------------------------|------------------|-------------------|-------------------------|------------------|
| PTA 5 | 5 | 2.00 ~ 4.50 | 1.60 ~ 4.00 | 1.2 | 0.37 |
| PTA 6 | 6 | 2.00 ~ 4.50 | 1.60 ~ 4.00 | 1.2 | 0.37 |
| PTA 8 | 8 | 2.00 ~ 4.50 | 1.60 ~ 4.00 | 1.2 | 0.37 |
| PTA 10 | 10 | 2.00 ~ 4.50 | 1.60 ~ 4.00 | 1.2 | 0.37 |
| PTA 12 | 12 | 2.00 ~ 4.50 | 1.60 ~ 4.00 | 1.2 | 0.75 |
| PTA 14 | 14 | 2.00 ~ 4.50 | 1.60 ~ 4.00 | 1.2 | 0.75 |
| PTA 16 | 16 | 2.00 ~ 4.50 | 1.60 ~ 4.00 | 1.2 | 0.75 |
| PTA 18 | 18 | 2.00 ~ 4.50 | 1.60 ~ 4.00 | 1.2 | 0.75 |
| PTA 20 | 20 | 2.00 ~ 4.50 | 1.60 ~ 4.00 | 1.8 | 0.75 |
| PTA 22 | 22 | 2.00 ~ 4.50 | 1.60 ~ 4.00 | 1.8 | 0.75 |
| PTA 24 | 24 | 2.00 ~ 4.50 | 1.60 ~ 4.00 | 1.8 | 0.75 |
| PTA 26 | 26 | 2.00 ~ 4.50 | 1.60 ~ 4.00 | 1.8 | 0.75 |
| PTA 28 | 28 | 2.00 ~ 4.50 | 1.60 ~ 4.00 | 1.8 | 1.1 |
| PTA 30 | 30 | 2.00 ~ 4.50 | 1.60 ~ 4.00 | 1.8 | 1.1 |
| PTA 32 | 32 | 2.00 ~ 4.50 | 1.60 ~ 4.00 | 1.8 | 1.1 |

DSPTA,ENL,December 2017, 800 Rights reserved to modify technical specifications.



www.savi-water.com
www.wamgroup.com