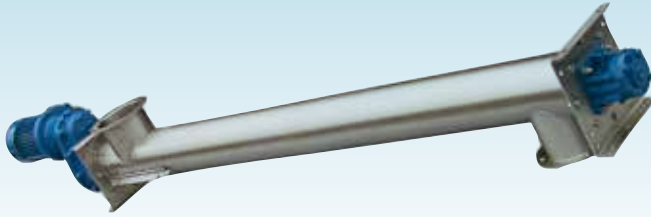


Paint & Varnish Processing

Stainless Steel Tubular Screw Conveyor TX



3



Description ▼

TX Tubular Screw Feeders and Conveyors, which are manufactured from stainless steel with a suitable surface finishing grade appropriate for the application in Biscuit (cookies) Processing Plants, are highly versatile. Manufacture of the fabricated components is carried out on machines that guarantee a perfectly smooth surface due to which material residue is reduced to the minimum. The screw conveyors or feeders are made up from a tubular trough which is equipped with an inlet and an outlet spout, an end plate at each tube end, helicoid screw flighting continuously welded on both sides on a centre pipe with a coupling bush at each end, two end bearing assemblies complete with an air or gas-purged, adjustable shaft seal. Furthermore, the screw conveyors or feeders, which for this industry come without intermediate bearings, are equipped with a gear motor suitable for the application.

Function ▼

TX Tubular Screw Feeders are usually installed under a silo or FIBC (Bulk Bag) discharger to feed powdery or granular materials into a weigh hopper. They are suitable for applications in which any contamination of the material handled has to be strictly avoided.



Application ▼

The application in the photograph shows a TX Screw Feeder installed over a stainless steel hopper for transfer of the material (e.g. calcium carbonate, titanium dioxide, silicate, sulphate) into the process.

Benefits ▼

- ✓ Comfortable cleaning and maintenance;
- ✓ Minimum residue;
- ✓ High feeding accuracy;
- ✓ Vast range of options and accessories;
- ✓ Attractive price.

Paint & Varnish Processing

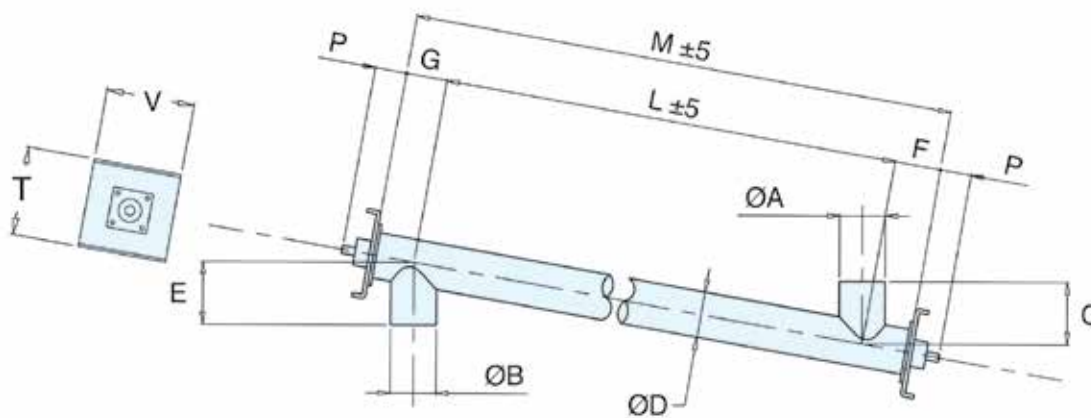
Stainless Steel Tubular Screw Conveyor TX



Technical Features / Performance ▼

- ▶ All fabricated parts manufactured from stainless steel
- ▶ Air or gas-purged shaft seals for maximum material protection against contamination
- ▶ Easily accessible inspection hatches
- ▶ Modular design
- ▶ ATEX

Overall Dimensions ▼



Type	80	100	120	150	200	250	300
Ø A	89	114	139	168	219	273	323
Ø B	89	114	139	168	219	273	323
C	1)						
Ø D	89	114	139	168	219	273	323
E	1)						
F	140	140	140	160	180	220	220
G	120	120	120	140	160	180	220
L	2)						
M	L + F + G						
P	114	114	114	124	124	124	124

1) See inlet/outlet spouts in catalogue

2) Rounded up to 10 mm

Dimensions in mm