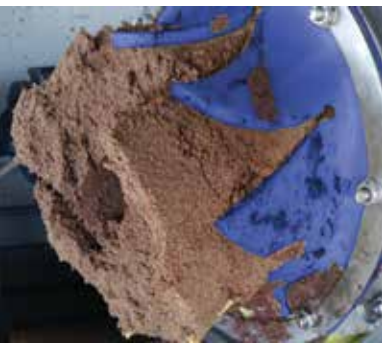


SOLIDS-LIQUID SEPARATION

# SEPCOM™ Industrial Process Waste Treatment System



# MAKE THE MOST OF YOUR INDUSTRIAL PROCESS WASTE

The SEPCOM™ system is a comprehensive range of equipment designed to **turn your industrial process waste into a valuable resource**. The system can be applied to a number of industrial applications such as paper mills, slaughterhouses, wineries, distilleries, plastics recycling, tapioca processing, vegetable oil extraction and waste water treatment in general.

Raw waste can be extremely expensive and difficult to be disposed of.

Therefore, to **make the most of your process waste** you should separate it into a solid and a liquid phase.

**Solid Phase** allows to:  
**save money on disposal costs**



- Easy to shovel, store and transport
- Odourless
- Can be sold as soil conditioner \*

**Liquid Phase** turns into:  
**a potential new resource**



- Can be re-introduced into the process to save on fresh water \*
- Could be used as liquid fertiliser \*
- Easy to mix, pump, spread and store

\* Depending on the type of waste



SEPCOM™

## TREATMENT SYSTEM FOR INDUSTRIAL PROCESS WASTE



Rubber recycling (SEPCOM Industrial Vertical)



Tapioca processing (SEPCOM Industrial Vertical)



Paper mill (SEPCOM Industrial Horizontal)



Chicken slaughterhouse (SEPCOM Industrial Horizontal)



Slaughterhouse, cattle rumen (SEPCOM Industrial Horizontal)



Food waste (SEPCOM Industrial Horizontal)



Waste water treatment plant (SEPCOM Industrial Vertical)



Brewery (SEPCOM Industrial Horizontal)

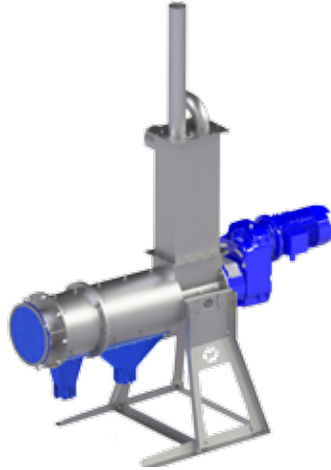
## INDUSTRIAL WASTE SEPARATORS

Separators are the core of a SEPCOM™ Industrial plant as they allow to separate industrial waste into a solid and a liquid phase. With **high performance SINT™ engineering polymer screw flights** and a **stainless steel design**, SEPCOM™ Industrial is available in three distinct model versions. The choice mainly depends on the required flow rate.

### SEPCOM™ Industrial Horizontal

Ideal for fibrous waste as in pulp and paper, cattle rumen, oil, distillery and tapioca processing etc.

- ✓ **Up to 30% separated solids**
- ✓ **Safe continuous operation due to self-adjusting pressor at solids outlet** INTERNATIONAL PATENT
- ✓ **Affordable spare parts**



### SEPCOM™ Industrial Vertical INTERNATIONAL PATENT PENDING

The perfect choice for waste low in fibre, waste fat and all waste that cannot be treated with traditional screw separators.

- ✓ **Never loses the solid plug**
- ✓ **Stable feeding due to compensator tank**
- ✓ **Higher separation efficiency than with traditional separators**
- ✓ **Affordable spare parts**



### MINI-SEPCOM™ Industrial Horizontal

The most compact machine of the range, ideal for small amounts of waste to be treated.

- ✓ **Minimised footprint**
- ✓ **Safe continuous operation due to self-adjusting pressor at solids outlet** INTERNATIONAL PATENT
- ✓ **Affordable spare parts**



# MICRO-FILTRATION

Depending on the type of waste, micro-filtered industrial liquid waste in some cases can be used in plants requiring ultra-filtered liquid. The **SEPCOM™ MFT Micro-Filter** can be used as a pre-treatment system upstream of a centrifuge or, in some cases, even replacing a centrifuge.

## SEPCOM™ MFT Micro-Filter INTERNATIONAL PATENT PENDING

The **SEPCOM™ MFT Micro-Filter** is used to fine-screen the liquid phase of a previous solids-liquid separation process.

- ✓ High filtration efficiency due to stainless steel screen down to 25µm (0.025mm)
- ✓ Self-cleaning
- ✓ Low operating costs



# ACCESSORIES

Prior to separation and micro-filtration, raw waste may contain lumpy solids or fibre that could disrupt the regular plant flow. In this case a submersible chopper pump and an agitator are an excellent solution.

## SEPCOM™ WSA Submersible Agitator

The **SEPCOM™ WSA Submersible Agitator** stirs up the raw industrial process waste to be treated by the separator.

- ✓ Excellent blending performance
- ✓ Prevents from deposits forming on the bottom of the collecting tank and from potential clogging of pump and separator



## SEPCOM™ WSP Submersible Chopper Pump

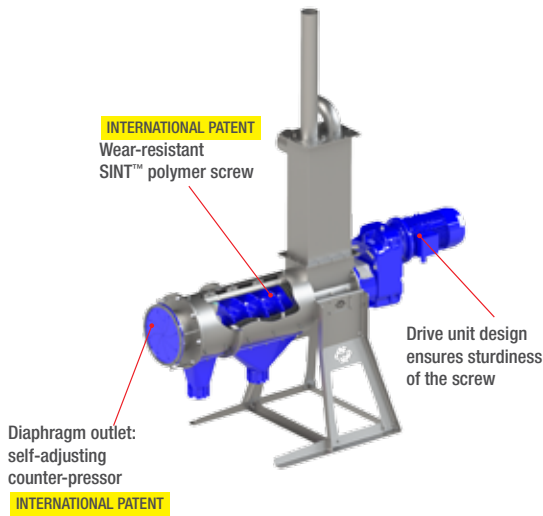
Due to an integrated cutting system, **SEPCOM™ WSP Submersible Chopper Pumps** can convey liquids containing lumpy solid particles or fibre.

- ✓ Two functions: shredding and pumping
- ✓ The perfect solution for difficult operating conditions

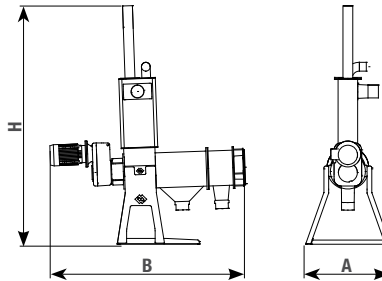


# Technical Features and Overall Dimensions

## SEPCOM™ Industrial Horizontal Process Waste Separator

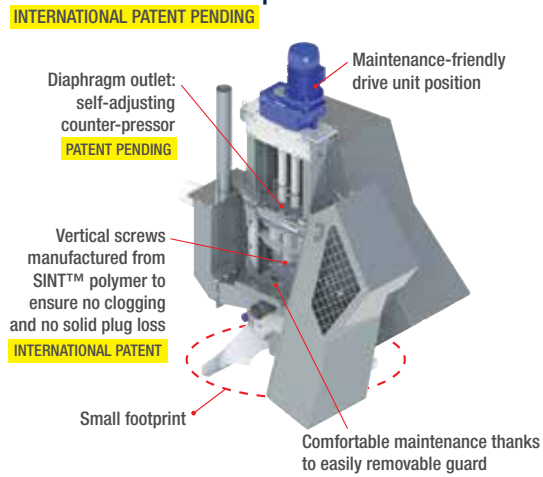


RANGE	Diameter mm	A mm	B mm	H mm	Power kW	Weight kg	Max. Throughput m³/h *
SEPINDH11502	150	660	1,200	1,800	2.2	137	15
SEPINDH12602	260	980	1,930	2,770	4.0	485	45
SEPINDH12603	260	980	2,230	2,770	5.5	535	65

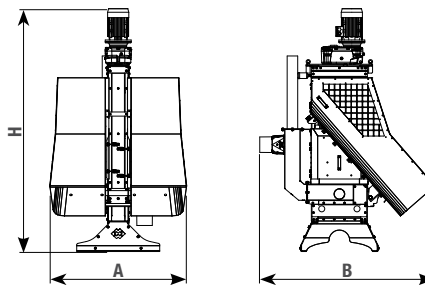


\* The flow rate is intended with clean water. Its real value depends on the type of material treated, on configuration of the equipment, as well as use and maintenance conditions.

## SEPCOM™ Industrial Vertical Process Waste Separator

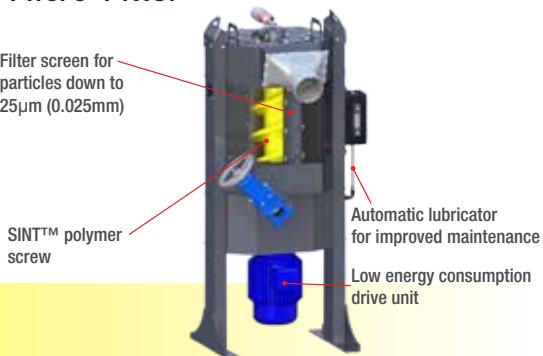


RANGE	Diameter mm	A mm	B mm	H mm	Power kW	Weight kg	Max. Throughput m³/h *
SEPINDV21503	150	1,320	1,690	2,340	4.0	460	20
SEPINDV22003	200	1,500	1,890	2,685	5.5	650	45

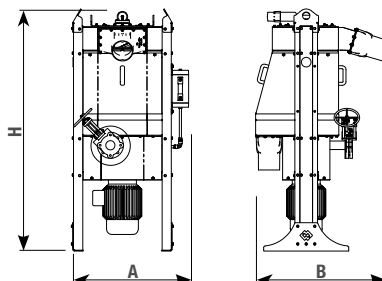


\* The flow rate is intended with clean water. Its real value depends on the type of material treated, on configuration of the equipment, as well as use and maintenance conditions.

## SEPCOM™ MFT Micro-Filter



RANGE	Diameter mm	A mm	B mm	H mm	Power kW	Weight kg	Max. Throughput m³/h *
SEPCOM MFT260	260	870	880	1,575	7.5	300	10



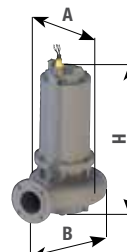
\* The flow rate is intended with clean water. Its real value depends on the type of material treated, on configuration of the equipment, as well as use and maintenance conditions.

## SEPCOM™ WSA Submersible Agitators



RANGE	Blade Diameter	A mm	Power kW	Weight kg
WSA 15	260	465	1.5	53
WSA 22	320	570	2.2	80
WSA 30	395	605	3.0	104
WSA 40	600	580	4.0	149
WSA 55	600	635	5.5	169
WSA 75	600	690	7.5	195

## SEPCOM™ WSP Submersible Chopper Pumps



RANGE	Inlet ø mm	A mm	B mm	H mm	Weight kg
WSP 22					73
WSP 30	80	330	400	670	75
WSP 40					76
WSP 55	100	345	440	770	121
WSP 75					127

# Application



# Ancillary Equipment



**HOPPER TANKS**  
for separator



**SEPCOM™ SCP**  
control panel



**COMPACT MICRO-FILTRATION PLANT**  
Plant complete with  
micro-filter and tank



203001529 April 2019 Rights reserved to modify technical specifications.



**SEPCOM™**



[sepcom.wamgroup.com](http://sepcom.wamgroup.com)