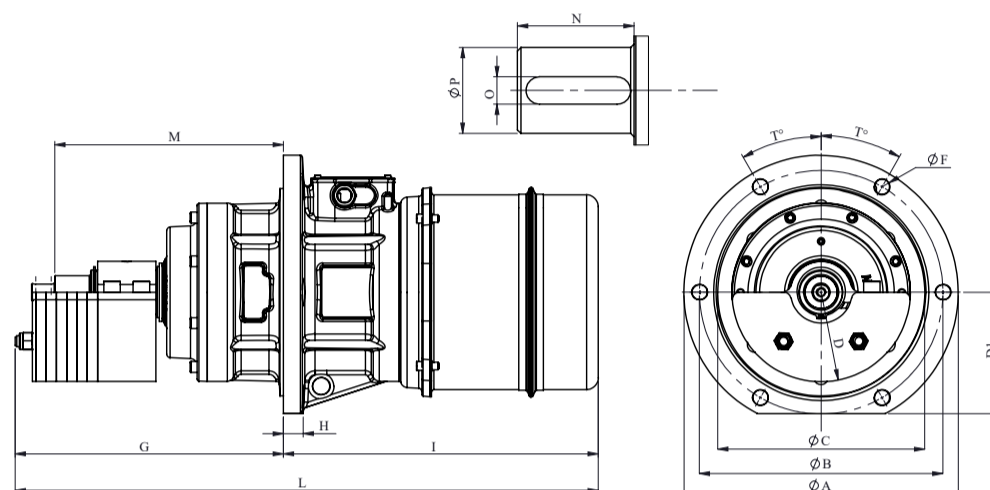




MVE 2600/075N-FD-80AX A (DN80260080AXJAA000)

3 PH - 8 poles - 750 RPM - 220-240/380-415 V - 50 Hz

Working moment [Kg*cm]	Unbalance [Kg*cm]	Centrifugal force [Kg]	Nominal voltage [V]	Input power [kW]	Current [A]	Power Factor	Ia/In
805,6	402,8	2.531,56	220-240/380-415	2,5	Δ 10,38 Y 6	0,6	3,5



OVERALL DIMENSIONS [mm]																
Weight [Kg]	B	F	Holes number	A	C	D	D1	G	I	L	M	N	O	P	T	
207	355	22	6	400	302	130	177	399	501	900	333	34	8	25	30°	

TECHNICAL FEATURES						
Type of grease	Greased for life	Screw	Washer	Clamping torque [Nm]	Cable type	Cable gland
MOBILITH SHC 100	Yes	M20	20 x 41 mm	373	4G4 110°C	M25 105°C

BEARINGS				
Bearing model	Type	Life 100%	Life 80%	Life 50%
NJ 315				

CERTIFICATION	
Atex II 3D Ex tc IIIc Tx IP66 [Tx Size 10-30:100°C - Tx Size 40-91:135°C] T.Amb -20/+40°C	

REV:1-22/05/2019