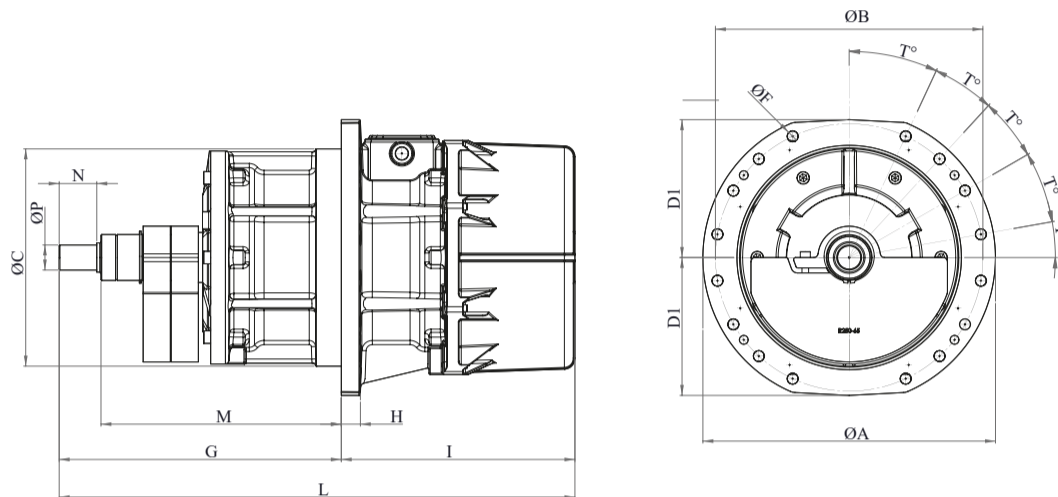




MVE 15000/1N-FD-105BR B (DN615000A5BRUAB000)

3 PH - 6 poles - 1000 RPM - 380-415/660-720 V - 50 Hz

Working moment [Kg*cm]	Unbalance [Kg*cm]	Centrifugal force [Kg]	Nominal voltage [V]	Input power [kW]	Current [A]	Power Factor	Ia/In
2.634	1.317	14.706	380-415/660-720	11,9	Δ 21,07 Y 12,18	0,81	5,8



OVERALL DIMENSIONS [mm]																
Weight [Kg]	B	F	Holes number	A	C	D	D1	G	H	I	L	M	N	O	P	T
674	590	26	12	645	480	270	270	675	35	520	1.195	585	90	18	60	25°-17,5°-17,5°-20°-10°

TECHNICAL FEATURES						
Type of grease	Greased for life	Screw	Washer	Clamping torque [Nm]	Cable type	Cable gland
MOBILITH SHC 100	Yes	M24	25 x 44 mm	696	4G6 110°C	M32 110°C

BEARINGS				
Bearing model	Type	Life 100%	Life 80%	Life 50%
NJ 2322		19434	40889	>100000

CERTIFICATION	
Atex II 3D Ex tc IIIc Tx IP66 [Tx Size 10-30:100°C - Tx Size 40-91:135°C] T.Amb -20/+40°C	

REV.2-26/06/2020