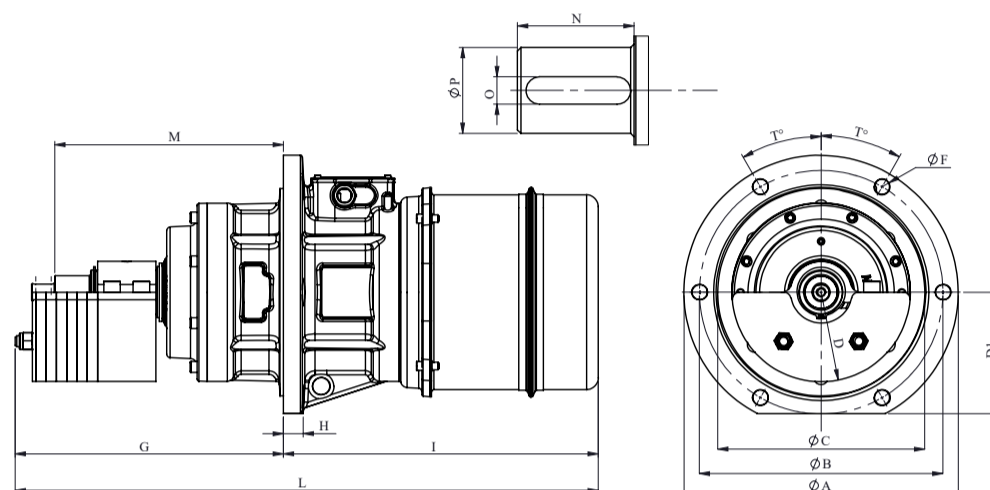




MVE 12500/1N-FD-91BP A (DN61250091BPUAA000)

3 PH - 6 poles - 1000 RPM - 380-415/660-720 V - 50 Hz

Working moment [Kg*cm]	Unbalance [Kg*cm]	Centrifugal force [Kg]	Nominal voltage [V]	Input power [kW]	Current [A]	Power Factor	Ia/In
2.218	1.109	12.391,06	380-415/660-720	8	Δ 9,97 Y 5,77	0,78	6,2



OVERALL DIMENSIONS [mm]															
Weight [Kg]	B	F	Holes number	A	C	D	D1	G	I	L	M	N	O	P	T
437,28	500	22	12	560	400	180	260	488,5	523	1.011	392	36	12	40	25° - 27,5°

TECHNICAL FEATURES						
Type of grease	Greased for life	Screw	Washer	Clamping torque [Nm]	Cable type	Cable gland
MOBILITH SHC 100	Yes	M20	20 x 41 mm	373	4G6 110°C	M32 105°C

BEARINGS				
Bearing model	Type	Life 100%	Life 80%	Life 50%
NJ 2320				

CERTIFICATION	
Atex II 3D Ex tc IIIc Tx IP66 [Tx Size 10-30:100°C - Tx Size 40-91:135°C] T.Amb -20/+40°C	

REV:1-22/05/2019