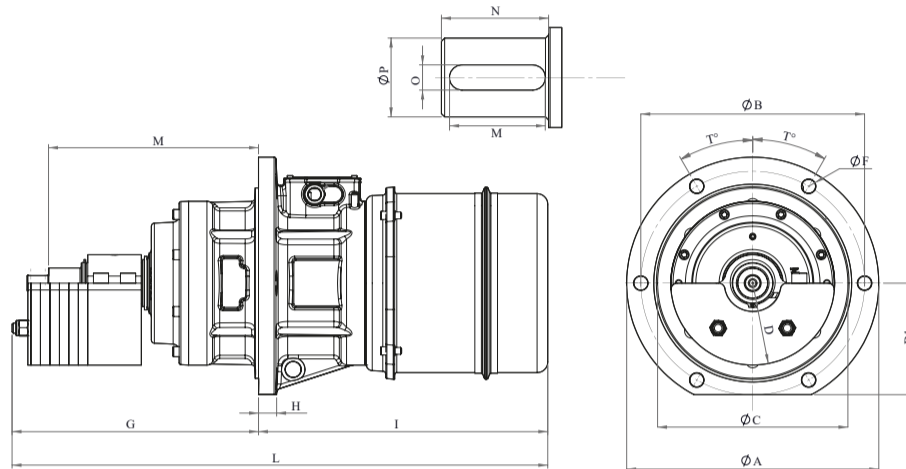




# MVE 10500/1N-FD-91BP A (DN61050091BPUAA000)

3 PH - 6 poles - 1000 RPM - 380-415/660-720 V - 50 Hz

Working moment [Kg*cm]	Unbalance [Kg*cm]	Centrifugal force [Kg]	Nominal voltage [V]	Input power [kW]	Current [A]	Power Factor	Ia/In
1.870	935	10.446	380-415/660-720	6,4	Δ 12,94 Y 7,48	0,82	5,8



OVERALL DIMENSIONS [mm]																
Weight [Kg]	B	F	Holes number	A	C	D	D1	G	H	I	L	M	N	O	P	T
408	500	22	12	560	400	180	260	473,5	30	523	996	392	36	12	40	25° - 27,5°

TECHNICAL FEATURES						
Type of grease	Greased for life	Screw	Washer	Clamping torque [Nm]	Cable type	Cable gland
MOBILITH SHC 100	Yes	M20	20 x 41 mm	373	4G6 110°C	M32 105°C

BEARINGS				
Bearing model	Type	Life 100%	Life 80%	Life 50%
NJ 2320		36603	77012	>100000

CERTIFICATION	
Atex II 3D Ex tc IIIc Tx IP66 [Tx Size 10-30:100°C - Tx Size 40-91:135°C] T.Amb -20/+40°C	

REV.4-26/06/2020