

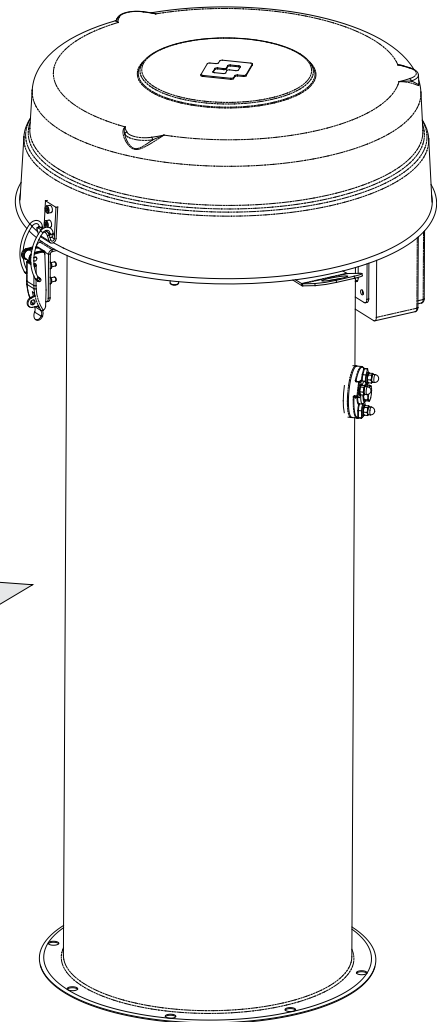


HOPPERTOP

Weigh HOPPER venting filter

3

SPARE PARTS CATALOGUE HOPPERTOP



Manual No. FIL.053.--.R.EN	Issue: A1	Latest Update: 08/10
ORIGINAL INSTRUCTIONS IN ENGLISH		

WAM S.p.A.
Via Cavour, 338
41030 Ponte Motta
Cavezzo (MO) - ITALY

☎ + 39 / 0535 / 618111
fax + 39 / 0535 / 618226
e-mail info@wamgroup.com
internet www.wamgroup.com

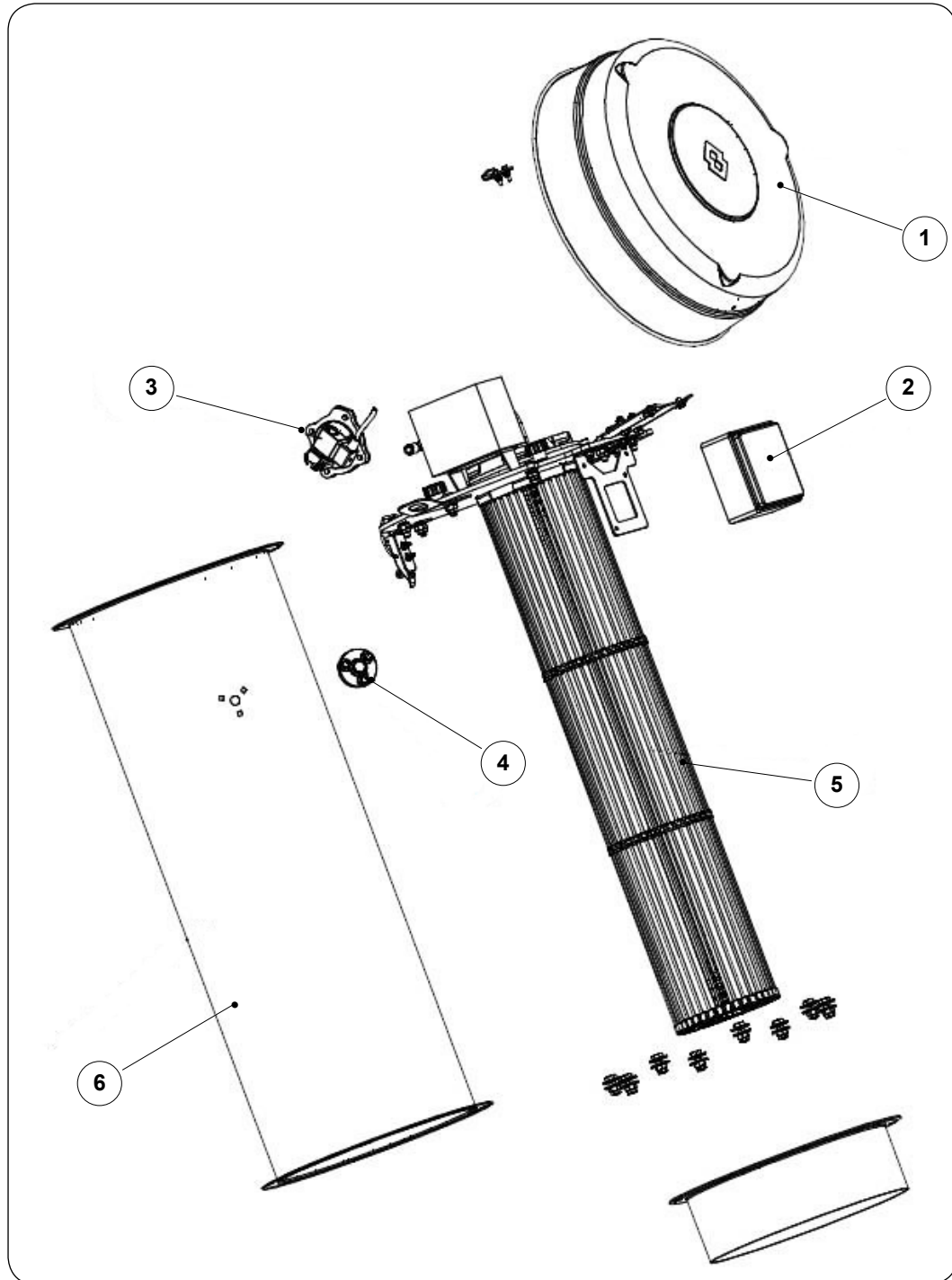




All the products described in this catalogue are manufactured according to **WAM® S.p.A. Quality System procedures**. The Company's Quality System, certified in July 1994 according to International Standards **UNI EN ISO 9002-94** and extended to **UNI EN ISO 9001-2000** in October, 2002, ensures that the entire production process, starting from the processing of the order to the technical service after delivery, is carried out in a controlled manner that guarantees the quality standard of the product.

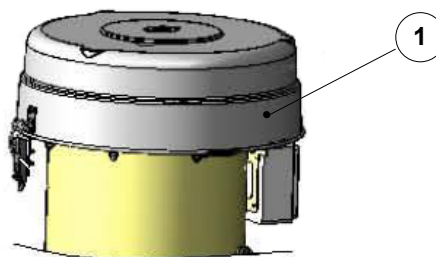


**This publication cancels and replaces any previous edition and revision.
We reserve the right to implement modifications without notice.
This catalogue cannot be reproduced, even partially, without prior consent.**

1.1
DESCRIPTION: EXPLOSION DRAWING


POS.	DESCRIPTION	CODE
1	COVER	288001520
2	STD. PANEL	12003960A
3	SOLENOID VALVE REPAIR KIT	KEVN02450
4	PREDISPOSITION MDPE	13010470A
5	CARTDRIDGES	KFNC2001PP3JC
6	BODY	278001519

**ITEM - POS. 1
COVER**

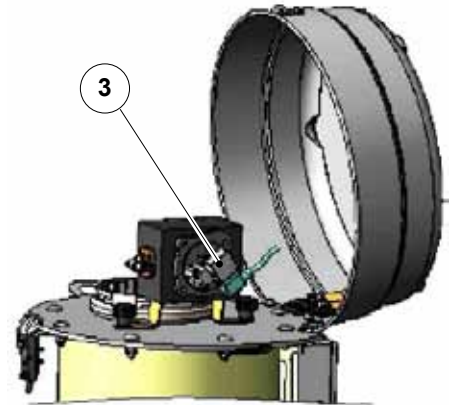
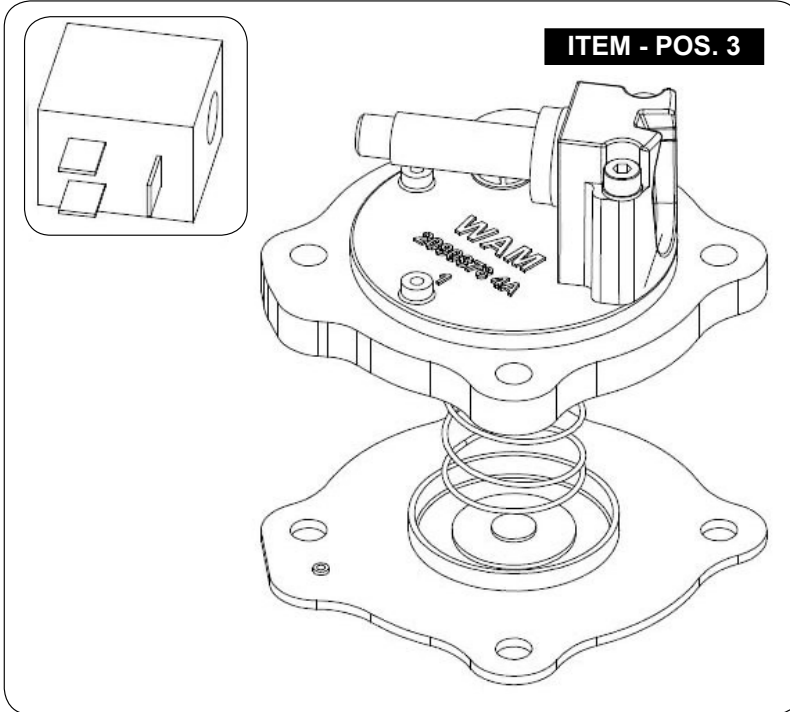


POS.	DESCRIPTION	CODE
1	COVER	288001520

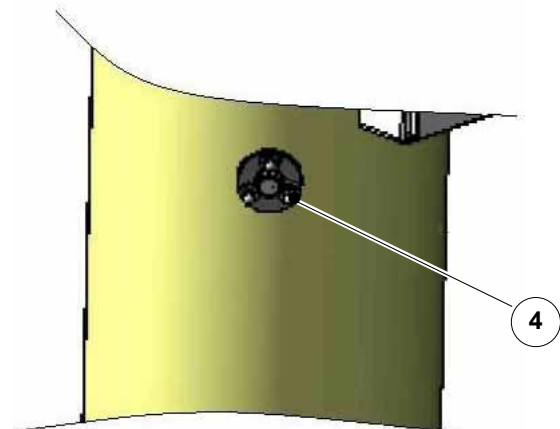
**ITEM - POS. 2
STD. PANEL**



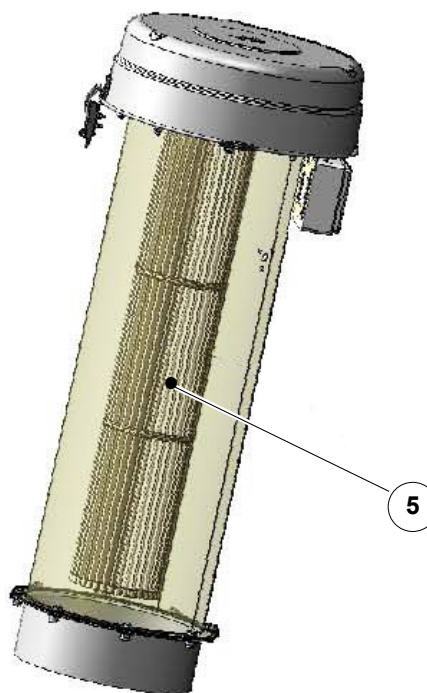
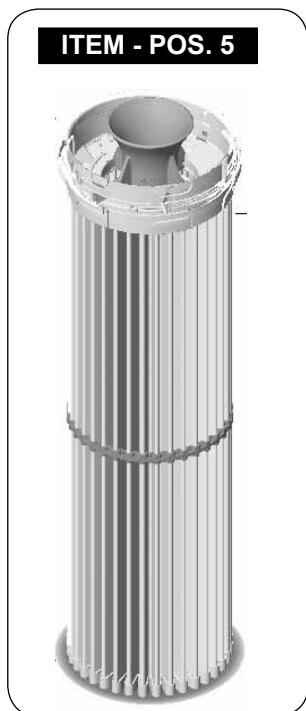
POS.	DESCRIPTION	CODE
2	STD. PANEL	12003960A

**ITEM - POS. 3
SOLENOID VALVE REPAIR KIT**


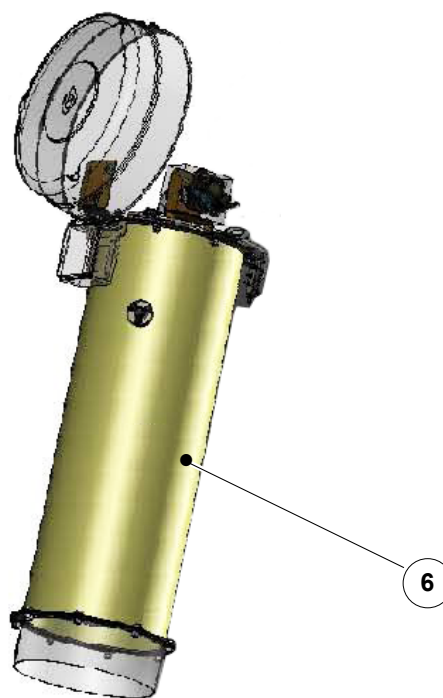
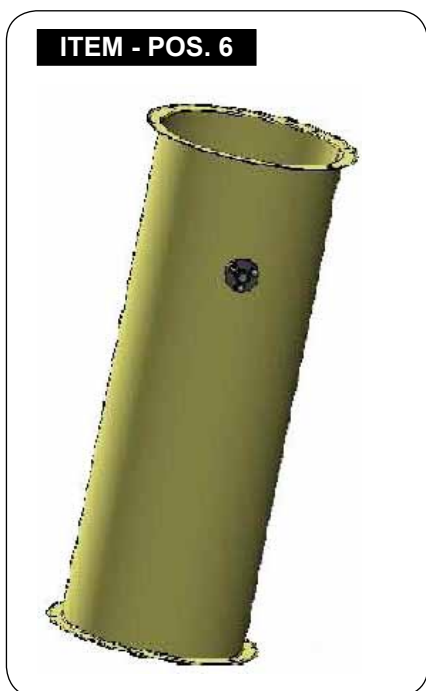
POS.	DESCRIPTION	CODE
3	SOLENOID VALVE REPAIR KIT	KEVN02450

**ITEM - POS. 4
PREDISPOSITION MDPE**


POS.	DESCRIPTION	CODE
4	PREDISPOSITION MDPE	13010470A

**ITEM - POS. 5
CARTDRIDGES**


POS.	DESCRIPTION	CODE
5	CARTDRIDGES	KFNC2001PP3JC

**ITEM - POS. 6
BODY**


POS.	DESCRIPTION	CODE
6	BODY	278001519

N.B. Rights reserved to modify technical specifications

N.B. Angaben ohne Gewähr. Änderungen können ohne Vorankündigung vorgenommen werden.

N.B. Toutes données portées dans le présent catalogue n'engagent pas le fabricant. Elles peuvent être modifiées à tout moment.

N.B. Tutti i dati riportati nel presente catalogo non sono impegnativi e possono subire variazioni in qualsiasi momento.



WAM®

WAM S.p.A.
Via Cavour, 338
I - 41030 Ponte Motta
Cavezzo (MO) - ITALY

+39 / 0535 / 618111
fax +39 / 0535 / 618226
e-mail info@wamgroup.com
internet www.wamgroup.com
videoconferenze + 39/ 0535 / 49032