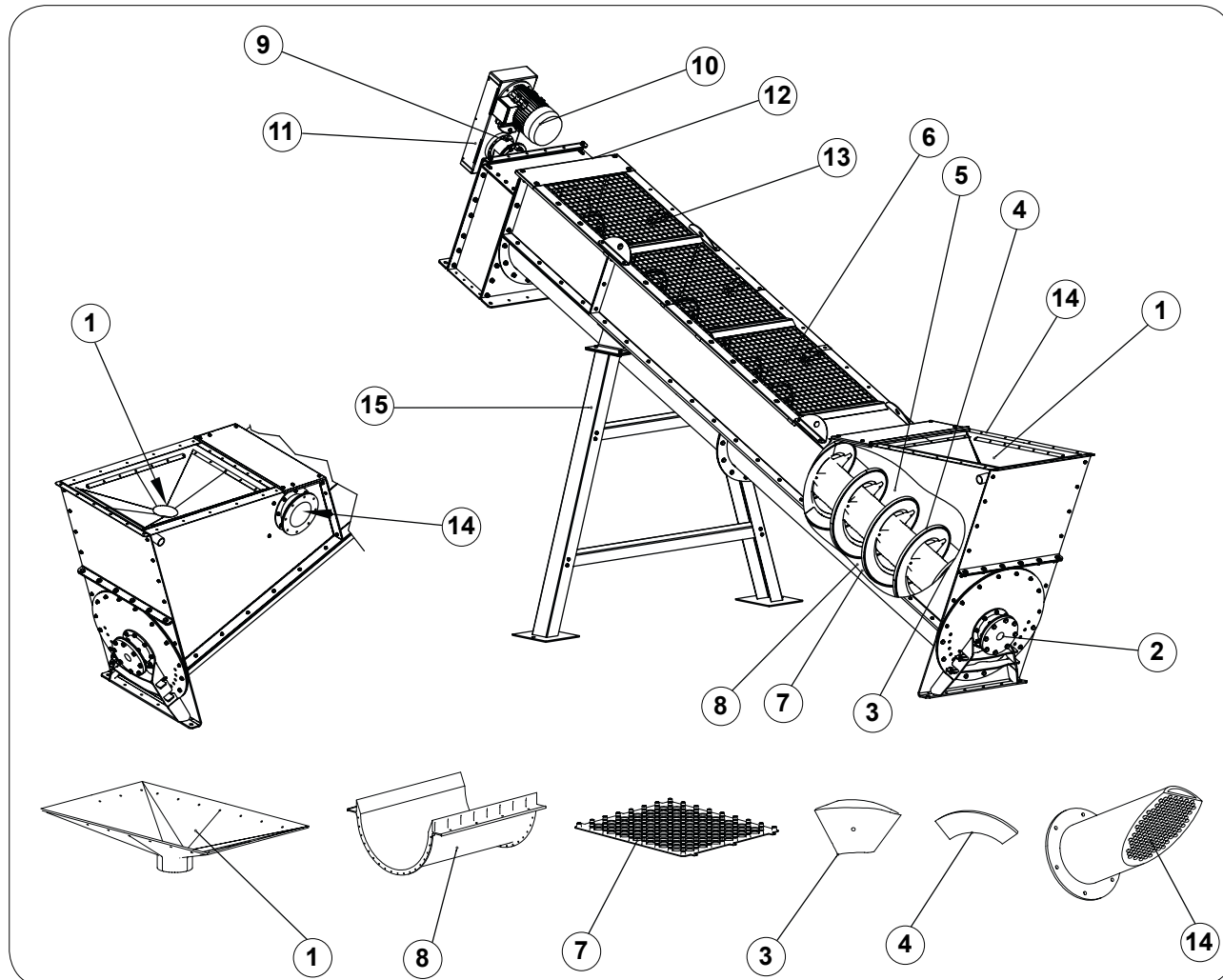
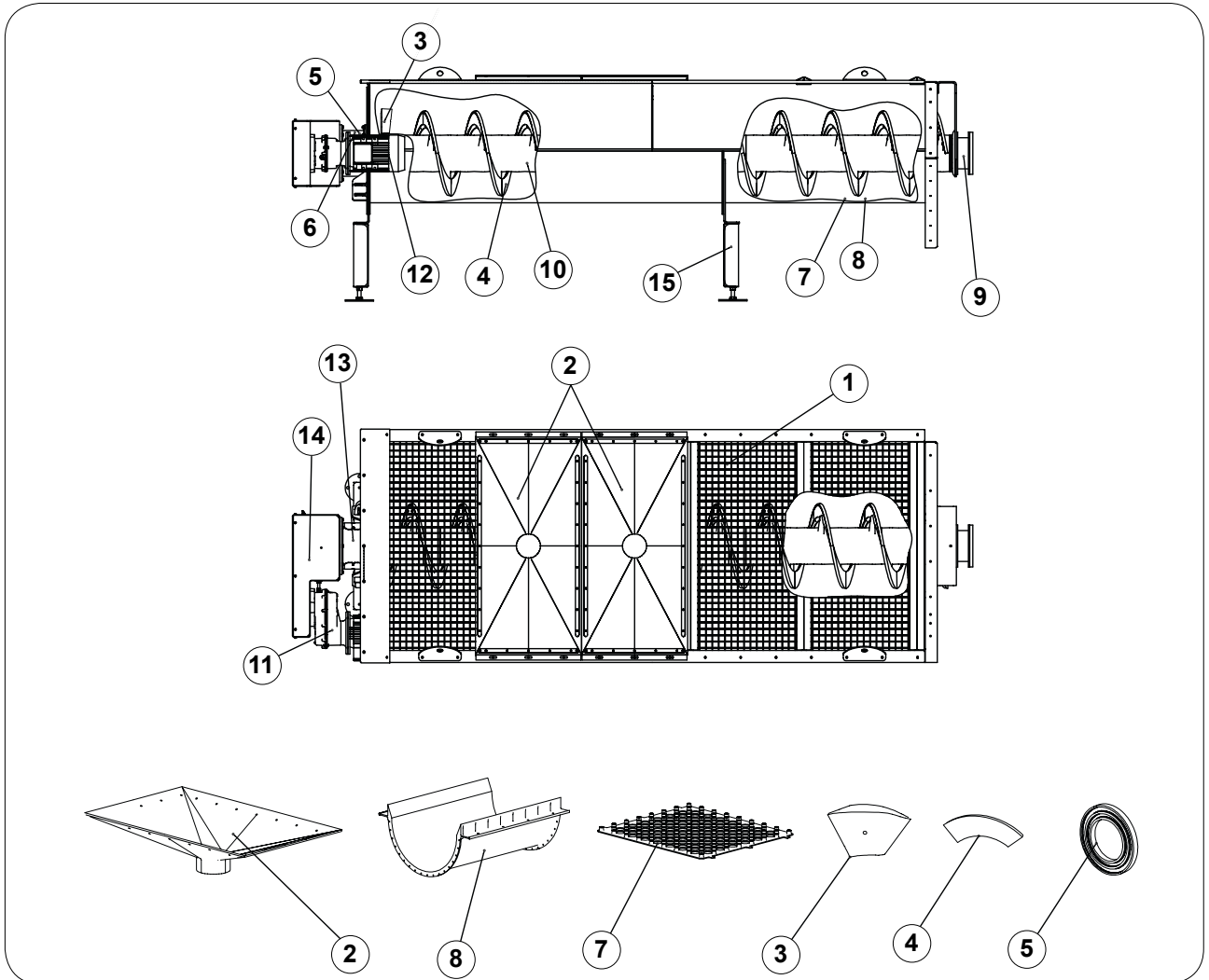


1.1
CONSEP® 5000 SPARE PARTS


| Pos. | DESCRIPTION | CODE | SPARE PARTS RECOMMENDED |
|------|--|------|-------------------------|
| 1 | Batcher | | X |
| 2 | Lower bearing (pair) | | X |
| 3 | Scraper blade | | |
| 4 | Wear-proof flight sector made of technopolymer | | X |
| 5 | Complete screw | | |
| 6 | Trough grille | | |
| 7 | Supporting belt | | |
| 8 | Sliding belt | | |
| 9 | Gearbox | | |
| 10 | Electric motor | | |
| 11 | Belt transmission | | |
| 12 | Water regulator cock | | |
| 13 | Washing nozzles | | |
| 14 | Aggregates filter | | |
| 15 | Supporting foot | | |

1.2
FEEDER AL 4000® SPARE PARTS


| Pos. | DESCRIPTION | CODE | SPARE PARTS RECOMMENDED |
|------|--|------|-------------------------|
| 1 | Trough grille | | |
| 2 | Batcher | | X |
| 3 | Scraper blade | | |
| 4 | Wear-proof flight sector made of technopolymer | | |
| 5 | Front sealing ring | | X |
| 6 | Complete sealing unit | | |
| 7 | Supporting belt | | |
| 8 | Sliding belt | | |
| 9 | End bearing (pair) | | X |
| 10 | Complete screw | | |
| 11 | Gearbox | | |
| 12 | Electric motor | | |
| 13 | Load side bearing | | X |
| 14 | Chain transmission (chain + sprockets) | | X |
| 15 | Supporting feet | | |



1.3

GRAVEL CLASSIFIER SPARE PARTS (not yet in production)

| Pos. | DESCRIPTION | CODE | SPARE PARTS RECOMMENDED |
|------|-------------|------|-------------------------|
| 1 | | | |
| 2 | | | |
| 3 | | | |
| 4 | | | |
| 5 | | | |
| 6 | | | |
| 7 | | | |
| 8 | | | |
| 9 | | | |
| 10 | | | |
| 11 | | | |
| 12 | | | |
| 13 | | | |
| 14 | | | |
| 15 | | | |
| 16 | | | |

NOTE: The data given in this catalogue are not binding and may undergo changes at any time.



WAM S.p.A.
Via Cavour, 338
I - 41030 Ponte Motta
Cavezzo (MO) - ITALY

fax + 39 / 0535 / 618111
+ 39 / 0535 / 618226
e-mail info@wam.it
internet www.wamgroup.com
videoconferenze + 39 / 0535 / 49032

